

We test, You produce.

F28 LPV HIGH SPEED LEAK TESTER FOR INDUSTRIAL QUALITY CONTROL

The **F28 LPV** or vacuum decay instrument is the latest addition to ATEQ's new range: F28.

It's a high performance, low cost, quality leak tester. Its small packaging enables to mount it near the test part insuring the best measurement conditions. You can easily program and supervise it our super friendly interface: F28 Control.

Highlights

- COMPACT
- HIGH SPEED TEST
- ACCURATE
- 50 MODULES NETWORK



Applications



Packaging, blister, watch, mobile phone, pneumatic and hydraulic fittings...



F28 LPV

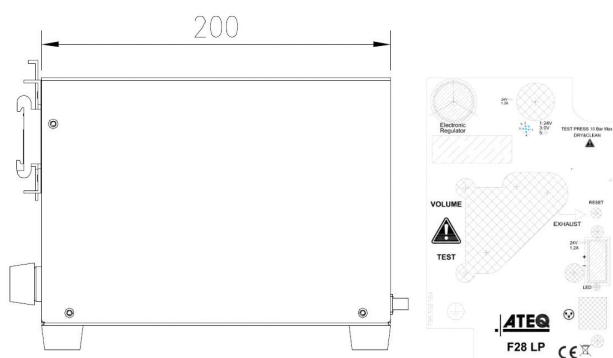
HIGH SPEED LEAK TESTER

FOR INDUSTRIAL QUALITY CONTROL

Measurement Characteristics

PRESSURE DROP MEASUREMENT			
	Range	Resolution	Accuracy*
Test Pressure (Absolute)	0,05 to 110 kPa	1 Pa	2% FS
Vacuum Decay	2 000 Pa	1 Pa	2% FS

Linearity + repeatability + hysteresis



Main Features

- Pressure decay leak measurement: vacuum
- Water leak detection by evaporation under strong vacuum
- Smart pressure regulation without regulator - auto fill (optional)
- Electronic regulation (optional)
- Units: Pa, Pa/s, sccm, µg/min of H₂O
- Compact dimensions (overall (mm): h 141.5 x L 225 x D 97)
- Integrated fill and dump valves
- Ethernet network up to 50 modules (Modbus IP)
- DIN rail mounting
- Environment: ROHS standard

Technical Specifications

Presentation	Weight: around 3,5 Kg
Electrical external supply	Voltage: 24 V DC / 1.6 A Main adaptater included 110 – 230 V AC
Air supply	Clean and dry air required Air quality standard to be applied (ISO 8573-1) Test pressure input, may need an external regulator
Temperature	Operating: +5°C to +45°C Storage: 0°C to +60°C

F28 Control Interface

